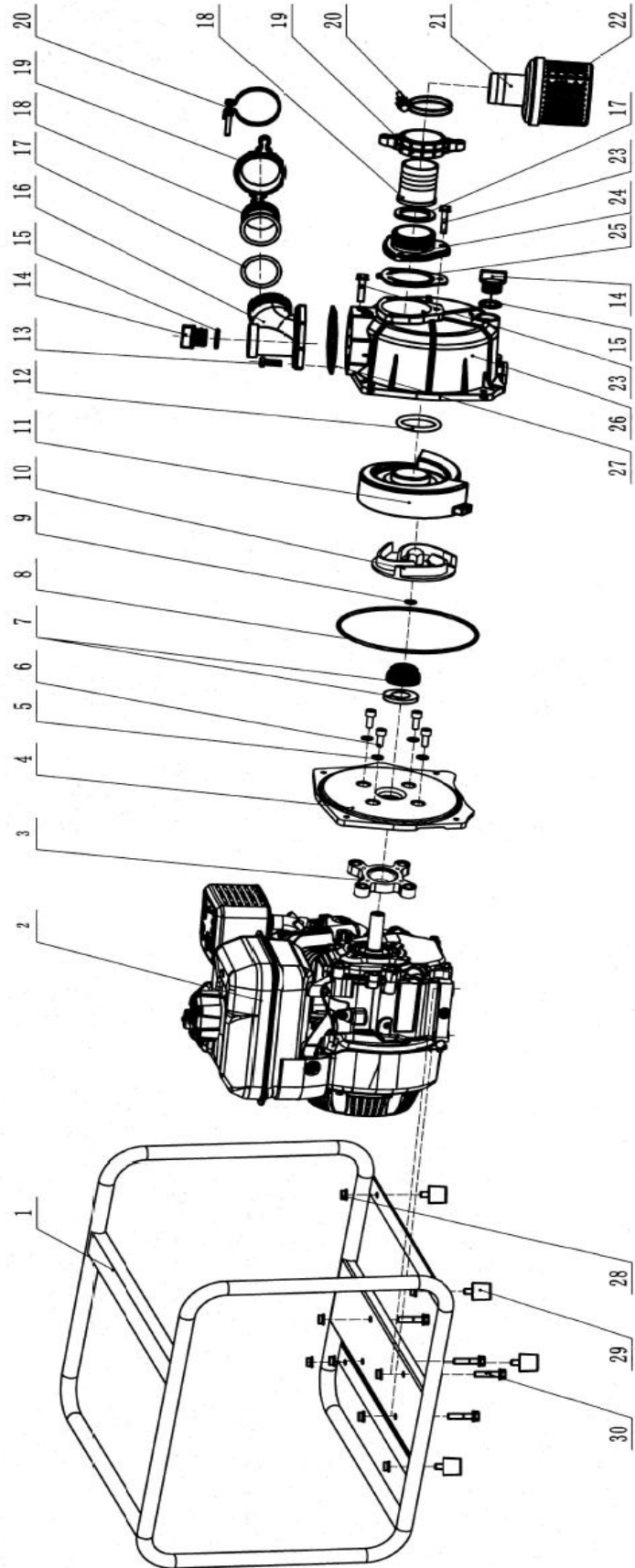


PRONTO	PART NUMBER	USE	DESCRIPTION	LIST
804623	BIA-WP30ABS-1	USE BIA-WP20ABS-1	FRAME	120.00
	BIA-WP30ABS-2	USE BIA-WP20ABS-2	ENGINE	POA
804641	BIA-WP30ABS-3	USE BIA-WP20ABS-3	CONNECTOR	11.00
804643	BIA-WP30ABS-4	USE BIA-WP20ABS-4	PUMP BODY	86.00
804644	BIA-WP30ABS-5	USE BIA-WP20ABS-5	WASHER	0.00
804645	BIA-WP30ABS-6	USE BIA-WP20ABS-6	SOCKET SCREW	3.00
804800-804546	BIA-WP30ABS-7	USE BIA-WP15ABS-11	MECHANICAL SEAL	36.00
804662	BIA-WP30ABS-8		O RING	2.00
804647	BIA-WP30ABS-9	USE BIA-WP20ABS-9	WASHER	1.00
804648	BIA-WP30ABS-10		IMPELLER	88.00
804649	BIA-WP30ABS-11		DIFFUSER	114.00
804650	BIA-WP30ABS-12		SEAL RING	1.00
804627	BIA-WP30ABS-13	USE BIA-WP20ABS-13	HEX BOLT M8X25	1.00
804628	BIA-WP30ABS-14	USE BIA-WP20ABS-14	PLUG	1.00
804629	BIA-WP30ABS-15	USE BIA-WP20ABS-15	O RING 25X4.2	0.00
804651	BIA-WP30ABS-16		OUTLET	65.00
804652	BIA-WP30ABS-17		GASKET	1.00
804653	BIA-WP30ABS-18		PIPE	7.00
804654	BIA-WP30ABS-19		SPANNER	10.00
804655	BIA-WP30ABS-20		CLAMP	14.00
804656	BIA-WP30ABS-21		STRAINER	2.00
804657	BIA-WP30ABS-22		STRAINER FITTING	2.00
804588	BIA-WP30ABS-23	USE BIA-WP10-30	HEX BOLT M8X20	2.00
804658	BIA-WP30ABS-24		INLET	65.00
804659	BIA-WP30ABS-25		NON RETURN VALVE	5.00
804660	BIA-WP30ABS-26		PUMP BODY	185.00
804661	BIA-WP30ABS-27		GASKET	1.00
804601	BIA-WP30ABS-28	USE BIA-WP15A-1	HEX NUT M8	1.00
804594	BIA-WP30ABS-29	USE BIA-WP10-36	RUBBER FEET	5.00
804642	BIA-WP30ABS-30	USE BIA-WP20ABS-30	HEX BOLT M8X35	2.00

**SPARE PARTS TO SUIT**

**804451 BIA-WP30ABS**



SPARE PARTS TO SUIT 804451 BIA-WP30ABS